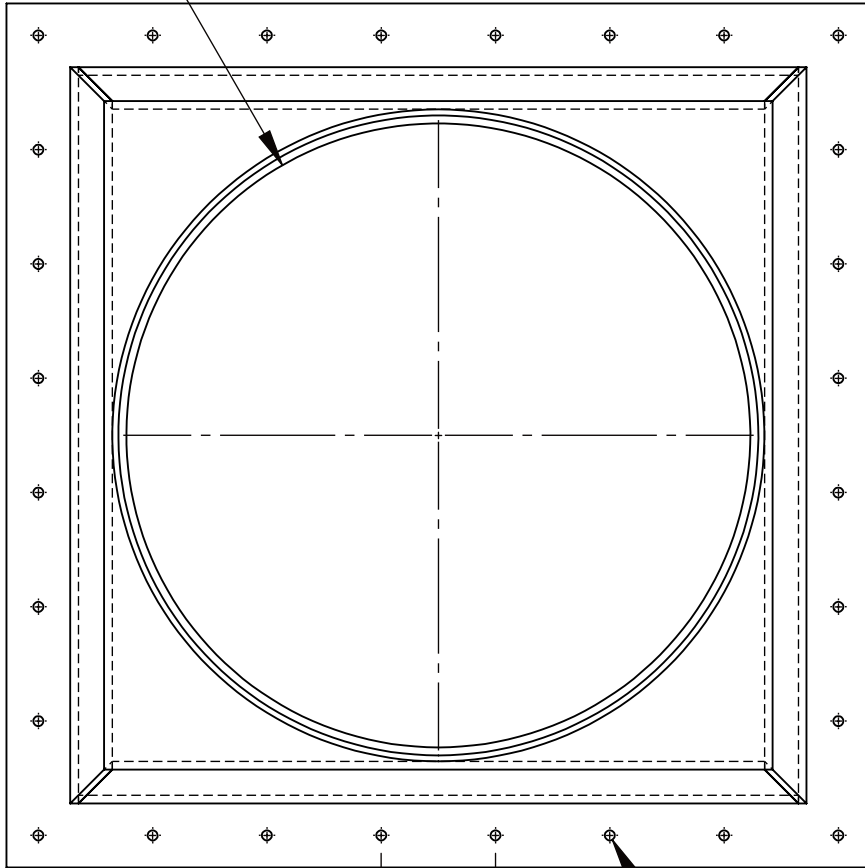


Ø 19 1/2" THRU



4" MAX
SPACING
WILL VARY
DEPENDING
ON CUSTOMER
SPECIFIED OPENING

Ø 5/16" THRU

(9 1/4" AS SHOWN)
CUSTOMER
SPECIFIED
MADE TO ORDER

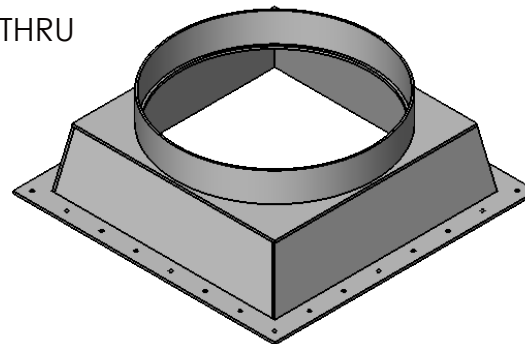
3"

Ø 20"

(□ 22 1/2" AS SHOWN)
CUSTOMER SPECIFIED
MADE TO ORDER

2 1/4"

2 1/4"



 **PLASTIC SUPPLY**
of PENNSYLVANIA
21 SOUTH LIMERICK RD. ROYERSFORD, PA 19468
(610) 326-5112 www.plasticsupply.net

MATERIAL: PVC GRAY

PVC TRANSITION SQ TO ROUND - MTO

PART #: **PVCTR20**