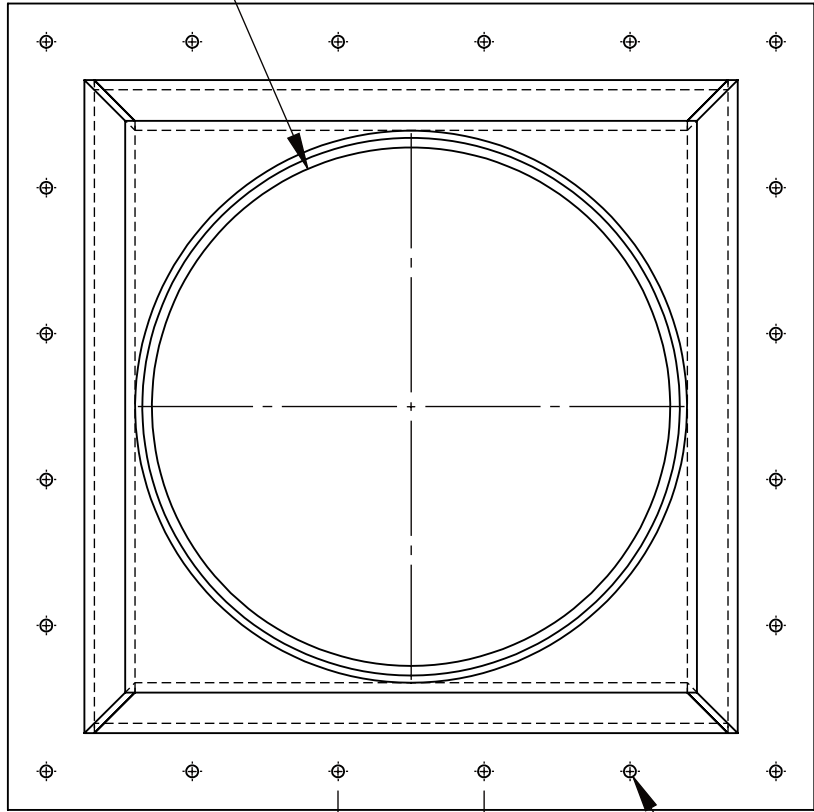
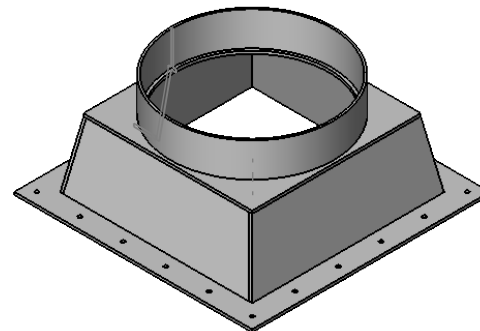
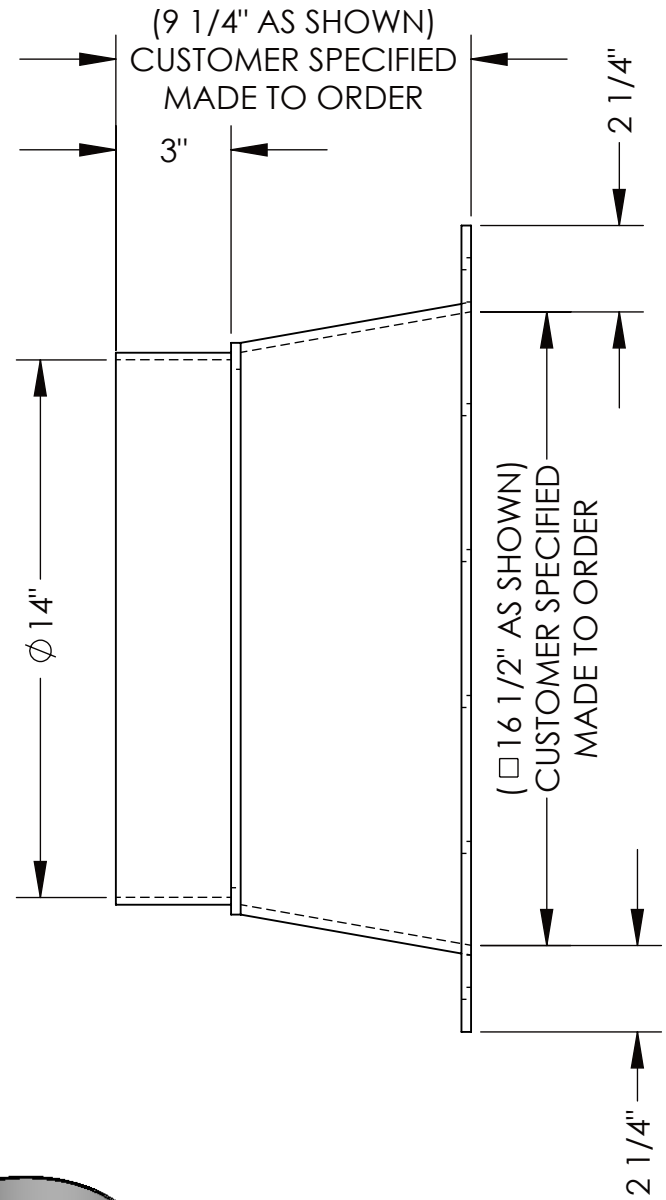


Ø 13 1/2" THRU



Ø 5/16" THRU

4" MAX SPACING WILL VARY DEPENDING ON CUSTOMER SPECIFIED OPENING



**PLASTIC SUPPLY**  
 of PENNSYLVANIA  
 21 SOUTH LIMERICK RD. ROYERSFORD, PA 19468  
 (610) 326-5112 www.plasticsupply.net

MATERIAL: PVC GRAY

PVC TRANSITION SQ TO ROUND - MTO

PART #: **PVCTR14**