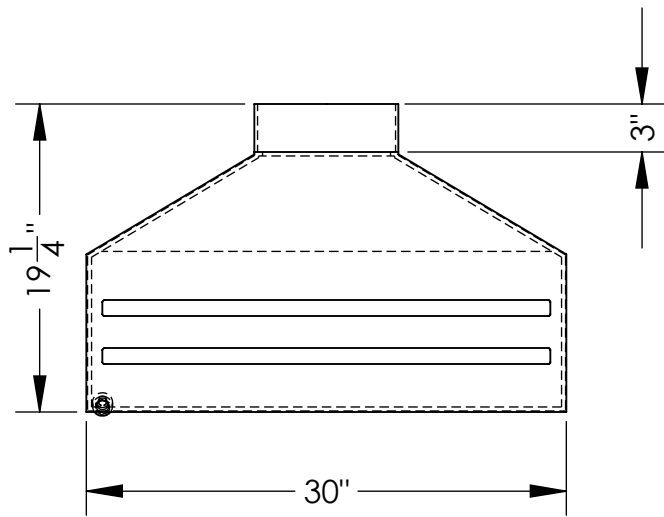
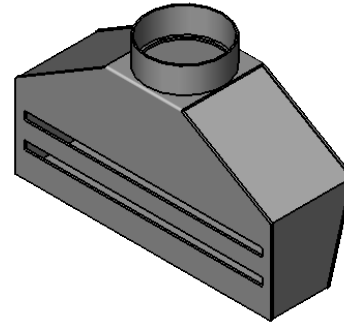
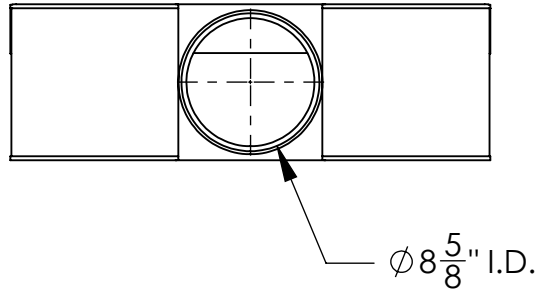
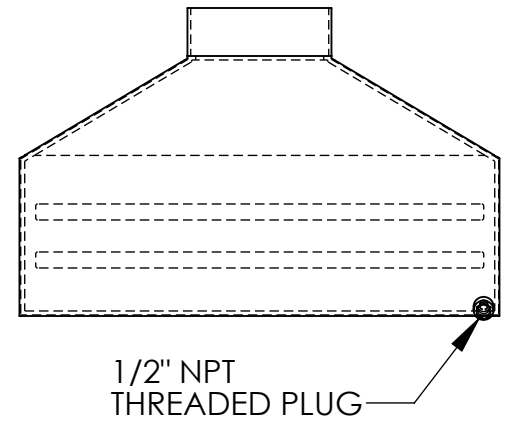
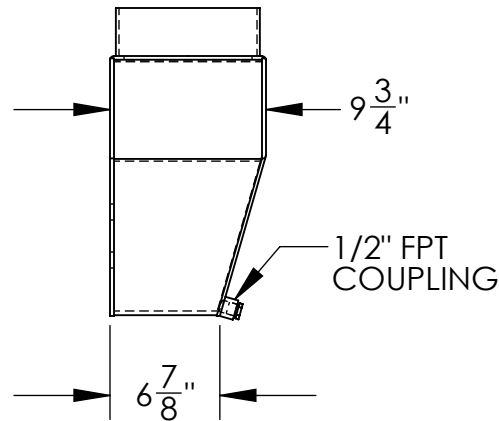


8" DUCT INLET



1/4" WALL



 **PLASTIC SUPPLY**  
of PENNSYLVANIA  
21 SOUTH LIMERICK RD. ROYERSFORD, PA 19468  
(610) 326-5112 www.plasticsupply.net

MATERIAL: PVC GRAY

PVC INTAKE FUME HOOD, STYLE 1

PART #: **PVCHS130**