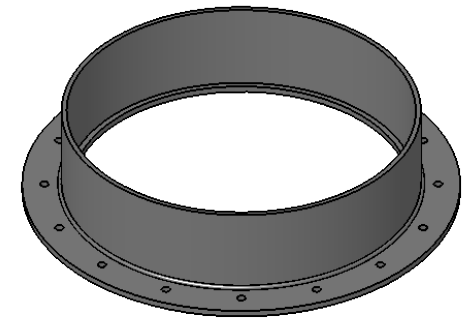


SECTION A-A



 **PLASTIC SUPPLY**
of PENNSYLVANIA
21 SOUTH LIMERICK RD. ROYERSFORD, PA 19468
(610) 326-5112 www.plasticsupply.net

MATERIAL: PVC OR CPVC

12" DUCT FLANGE (SOCKET)

PART #: **PVCF12**