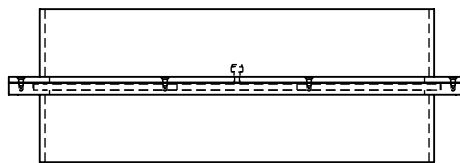
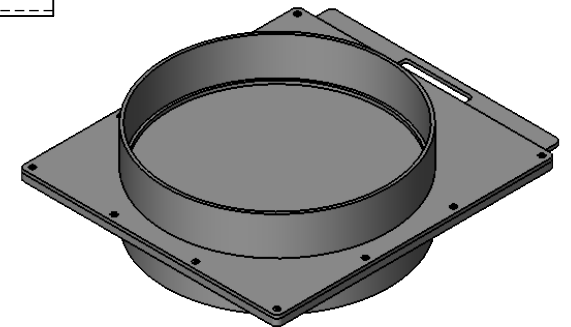
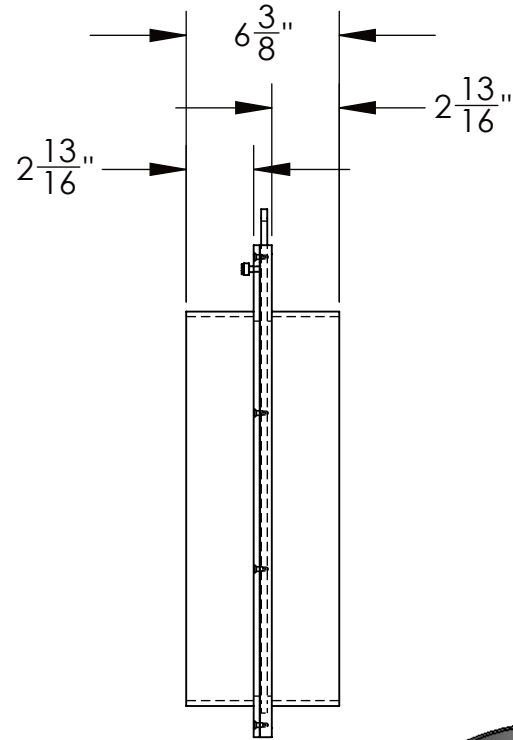
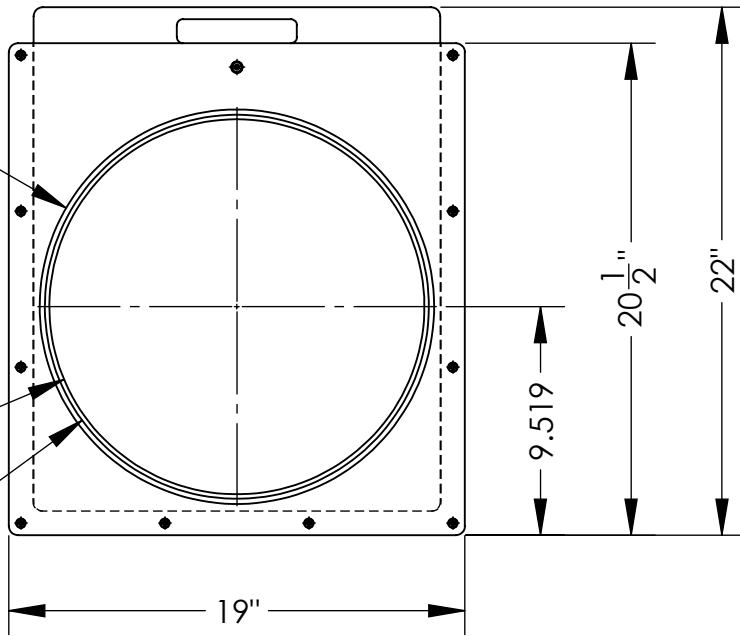


$\phi 16 \frac{7}{16}$ " O.D.

$\phi 15 \frac{5}{8}$ " THRU

$\phi 16$ " I.D.



 **PLASTIC SUPPLY**
of PENNSYLVANIA
21 SOUTH LIMERICK RD. ROYERSFORD, PA 19468
(610) 326-5112 www.plasticsupply.net

MATERIAL:

PVC BLASTGATE

PART #: **PVCB16**