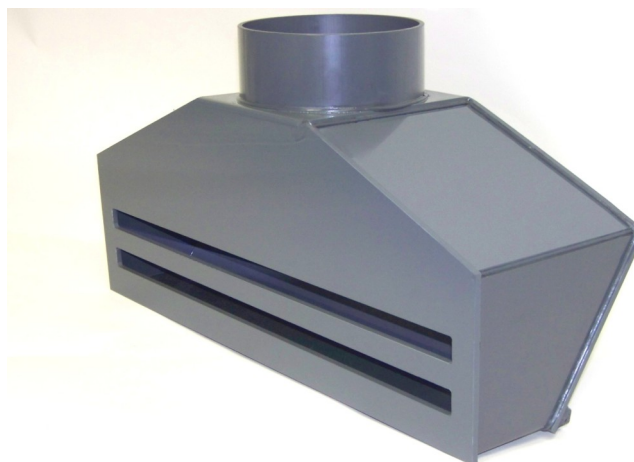
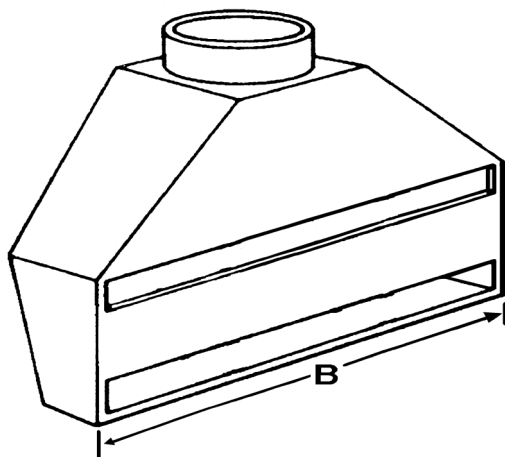




1400 Maple Street
Pottstown, PA 19464

Phone: 610-326-5112
Fax: 610-326-7852



PVC INTAKE FUME HOOD, STYLE 1

Part Number	Size	Socket ID	Height	B	Slot Length
PVCHS112	12"	4-1/2"	11"	12"	10"
PVCHS124	24"	6-5/8"	14"	23-3/4"	21-3/4"
PVCHS130	30"	8-5/8"	19-1/4"	30"	28"
PVCHS136	36"	10-3/4"	21"	36"	34"
PVCHS148	48"	12-3/4"	27-1/4"	47-3/4"	45-3/4"

Total of (2) 1" high slots per Hood.
Each Hood includes a 1/2" bottom drain.